

Thermo Scientific AquaSensors AquaClear

Low-range turbidimeter

Thermo Scientific™ AquaSensors™ AquaClear™ turbidimeter for accurate, real-time turbidity measurements.

Markets/Applications

- Drinking water
- Filter monitoring membrane filtration
- Distribution monitoring
- Wastewater effluent (clarified)
- Packaged water systems
- Food & beverage processing
- Pharmaceutical process water

Product Benefits

- Meets or exceeds USEPA method 180.1
- Pre-calibrated measurement
- Plug & play sensor heads (digital versions only)
- Simple to operate



Thermo Scientific AquaSensors AquaClear Turbidity Measurement System

The Thermo Scientific AquaSensors AquaClear low-range turbidimeter system delivers accurate turbidity measurements in drinking water applications and other process applications to monitor water quality. The AquaClear turbidimeter uses a pre-calibrated plug-in optical sensor head. The sensor is inserted into a sample chamber specifically designed to condition the water for turbidity measurements. The measurement chamber removes bubbles from the water so that solid particles can be accurately detected.

Maintenance costs are low with the AquaClear system. The lamp provides collimated white light for a minimum of three years and is easily changed. The volume of the measurement chamber is 135 mL

and requires a small amount of formazin to perform EPA-mandated calibrations, thus making the AquaClear turbidimeter a cost-effective investment.

The AquaClear system is offered in three convenient versions: a digitally networked version without a local display that can interface digitally with industrial control systems; a digitally networked version with a local display (AV38); and an analog version with a local display (AV88) that cannot digitally communicate to a host system but provides two analog outputs, two relays, and AC/DC power options. Both AV38 and AV88 local displays offer standard commands for calibration, configuration, diagnostics, and troubleshooting.



AquaClear system with digital AV38 display



AquaClear system with analog AV88 display

Thermo
SCIENTIFIC

AquaSensors AquaClear Turbidimeter with Digital Communication

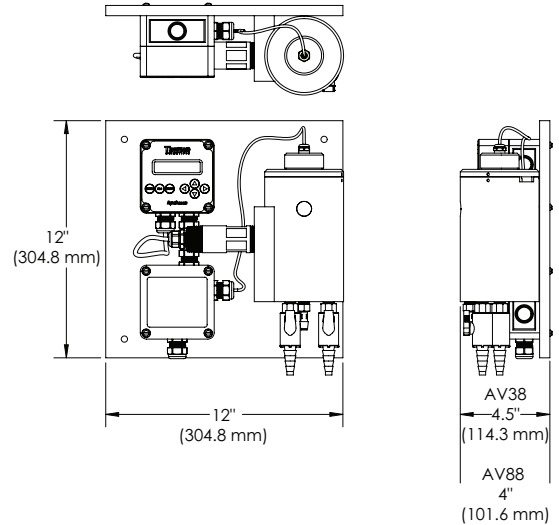
The AquaClear digital version is part of the Thermo Scientific™ AquaSensors™ DataStick™ family of measurement products. The DataStick system can be configured with any AquaSensors sensor head and can communicate directly with industrial computer systems using a variety of communications adapters. This DataStick system can be digitally networked to a computer interface directly or to a local display (AV38 version only). This system provides universal conversion of sensor signals and interactive communications for measurement, calibration, configuration and diagnostics. Mounting adapters, junction boxes and recharge kits are available.

The AquaClear AV88 analog version is offered with two relays, 4-20 mA outputs and AC/DC power options. Both AV38 and AV88 local displays offer standard commands for calibration, configuration, diagnostics, and troubleshooting.

Engineering Specifications

1. The turbidity monitoring system is capable of functioning independently utilizing a local or remote display or in an expandable network of systems that can be calibrated, configured or diagnosed by a remote computer.
2. The turbidimeter continuously measures turbidity in the range of 0.001 to 100 NTU and is a microprocessor-based, on-line nephelometric instrument meeting all design and performance criteria specified by USEPA method 180.1.
3. Light is directed through the surface of the sample and the detector is immersed in the sample, eliminating glass windows and flow cells. Optical components are mounted in a sealed head assembly that can be removed easily for calibration/service.
4. The sample chamber is constructed of corrosion-resistant ABS plastic, and includes an internal bubble removal system to vent entrained air from the sample stream.
5. Accuracy is $\pm 2\%$ of reading or ± 0.015 NTU (whichever is greater) from 0 to 10 NTU; $\pm 5\%$ of reading from 40 to 100 NTU.
6. Displayed resolution is 0.001 NTU from 0 to 100 NTU.
7. User selectable signal averaging, bubble removal, alarm and diagnostics are included.
8. The sensor has a built-in pre-amplifier, universal signal conditioning electronics, universal engineering units conversion, and interactive communications with a host computer or display interface using one of several protocols including Modbus® RTU, DeviceNet™, Profibus™, USB, CANopen or Ethernet.
9. The sensor has an integral temperature sensor to measure temperature independently.
10. All system components are C-UL-US Listed (367G E303570 E327739). For EMC immunity and emissions, system components are CE-Certified 89/336/EEC: CISPER 11, EN61000 (-4-2, -4-3, -4-4, -4-6, 4-8). Max Ambient 50 °C.
11. The sensor is Thermo Scientific AquaSensors AquaClear low-range turbidimeter.

AV38/AV88



Product Benefits

- Meets or exceeds USEPA method 180.1
- 135 mL sample chamber
- 0.001 NTU resolution
- 3-year light source
- Compact mounting footprint
- Digital network interface
- Local interface with current outputs and relays
- Low flow rate
- Temperature measurement included
- Plug and play industrial communications adapters

Use this system when very accurate turbidity measurement is needed in drinking water and other critical water quality monitoring applications. Connect this system directly to a PLC (Programmable Logic Controller) for seamless integration with industrial control systems. Use any computer to display data, calibrate and customize the measurement. Report data with standard current outputs and set alarms with optional relays. Save on calibration cost with smaller volumes of formazin standard. Save space, time and money.

Key Components (AV38 Version)

DataStick Measurement System

Provides universal conversion of sensor signals and interactive communications for measurement, calibration, configuration and diagnostics.



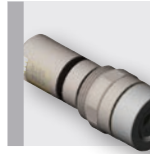
Communications Adapter

Plugs into the DataStick body to provide power and direct interactive communications with control systems.



Optical Sensor Head

Yields accurate 24-bit data.



AV38 Local Display/Controller

2 line display and 7 key navigation. Data reporting with up to 2 current loops. 2 Form C relays. Digital communications.



Key Components (AV88 Version)

Optical Sensor Head

Accurate optical turbidity sensor and cable connection for AV88 controller.



AV88 Local Display/Controller

2 line display and 7 key navigation. Data reporting with up to 2 current loops. 2 Form C relays. Analog communications.



Specifications

Measurement System Performance	Range: 0 to 100 NTU	Units Of Measure	Measurement Units: NTU
	Resolution: 0.001 NTU		Temperature Units: °C, °F
Operational Environment	Accuracy: ±2 % of reading or ±0.015 NTU whichever is greater. ±5 % of reading above 40 NTU	Calibration	Sample: 1 point
	Water Temperature Range: -5 °C to 50 °C		Zero: 1 point
Power Requirements	Air Temperature Range: -20 °C to 60 °C	Interface	Temperature: 1 point
	Maximum Flow Rate: 500 mL/min (7.9 gal/hr)		Display: 2 lines, 16 characters, 7 key menu navigation
Construction	Minimum Flow Rate: 250 mL/min (4 gal/hr)	Other Configuration Options	Current Outputs: 1 standard, 2 nd optional
	Voltage Range: 24 VDC or 100-240 VAC		Relays: 2 form C (optional)
Construction	Maximum Power: 8 W with AV38/88 DataStick & light source	Approvals And Ratings	Sensor Filter: 0 to 100 seconds
	Typical Power: 6 W with AV38/88 DataStick & light source		Temperature Filter: 0 to 100 seconds
Construction	Light Source: White light (tungsten)		Immunity & Emissions: CE certified 89/336/EEC: CISPER 11, EN61000 (-4-2, -4-3, -4-4, -4-6, 4-8)
	Sample Chamber Material: ABS plastic		Safety: cULus listed; 367G E327739
Construction	Sample Chamber Volume: 135 mL		
	Light Source Housing: Anodized aluminum		
Construction	Mounting Plate: 12 x 12 inches, 4 mounting holes		
	Sensor Head Material: Quartz glass, anodized aluminium		
Construction	Weight: 5.6 lbs (2.5 kg)		

† Note: Typical at 25 °C performance unaffected by cable length

‡ Note: Class II DC power supply required

††Note: Turbidity and temperature are pre-calibrated at the factory

Thermo Scientific AquaSensors AquaClear Low-range Turbidity Measurement System

Turbidity System Ordering Information	
AV38 Version	
Part No.	Description
AQT-x-y-z	Turbidity System
Display	1 = Integral
Configuration (x)	2 = Remote with 20 ft cable
AV38 Configuration (y)	A = 1 current output and 24 VDC power B = 2 current outputs, 2 relays and 24 VDC power C = 1 current output and 100-240 VAC power D = 2 current outputs, 2 relays and 100-240 VAC power
Host Communications (z)	0 = None 4 = Modbus RTU 5 = DeviceNet 6 = CANopen 7 = Ethernet

AV88 Version	
Model Number	
AQT Turbidity measurement system. 0 to 100 NTU range. Precalibrated sensor, temperature measurement, sample chamber with bubble trap, lamp, junction box, mounting plate and AV88 local display.	
Display Configuration	
1 Integral	
AV88 Display Configuration	
DC	
AQT1DC User Interface with 2 current outputs, 2 relays. 24 VDC power.	
AC	
AQT1AC User Interface with 2 current outputs, 2 relays. 100 VAC to 240 VAC power.	
AQT	Turbidity Measurement System Part Number

Accessories Ordering Information	
Part No.	Description
TDWLS00	Lamp and cable
TDWCC01	Chamber lid
TDWSC01	Turbidity sample chamber
DW21	Turbidity sensor head
Part No.	Description
FOR40	40 NTU formazin calibration kit
FOR4K	4000 NTU formazin stock
TDWCAL01	Cal stick validation
TDWAV88	AV88 Controller for AquaClear turbidimeter
TDWSS88	Sensor and cable for AV88 AquaClear turbidimeter

Key Components Ordering Information	
Part No.	Description
DS21	DataStick measurement system
DW21	Turbidity sensor head
CA-b-nw-x-y	Communications Adapter
Body Material (b)	1 = 316 stainless steel 2 = CPVC 3 = PEEK
Communications (nw)	1A = RS232 ASCII 2B = Modbus RTU 2A = Modbus RS232 4B = CANopen 7R = Ethernet 5R = DeviceNet 8R = USB
Cable Length (x)	1 = 10 feet 2 = 20 feet 3 = 30 feet
Cable Termination (y)	A = Stripped wires
Part No.	Description
AV38-v-w-x-y-z	AV38 Local Display/Controller
Current Outputs (v)	B = 1 C = 2 with 2 relays
Mounting (w)	B = ¼ DIN NEMA 4X wall-mount enclosure 0 = None 1 = RS232 ASCII 2 = Modbus RS232 4 = Modbus RTU 5 = DeviceNet 6 = CANopen 7 = Ethernet
Host Communications (x)	
Relays (y)	A = 0 C = 2 with 2 current outputs selected
Power (z)	1 = 24 VDC 2 = 100-240 VAC

thermoscientific.com/processwater

© 2015 Thermo Fisher Scientific Inc. All rights reserved. Modbus is a registered trademark of Schneider Electric. DeviceNet is a trademark of ODVA. Profibus is a trademark of profibus Nutzerorganisation e.V. All other trademarks are the property of Thermo Fisher Scientific and its subsidiaries.

Water Analysis Instruments

North America
Toll Free: 1-800-225-1480
Tel: 1-978-232-6000
info.water@thermo.com

Netherlands
Tel: (31) 020-4936270
info.water.uk@thermo.com

India
Tel: (91) 22-4157-8800
wai.asia@thermofisher.com

Japan
Tel: (81) 045-453-9175
wai.asia@thermofisher.com

China
Tel: (86) 21-68654588
wai.asia@thermofisher.com

Singapore
Tel: (65) 6778-6876
wai.asia@thermofisher.com

Australia
Tel: (613) 9757-4300
in Australia (1300) 735-295
InfoWaterAU@thermofisher.com

Thermo
SCIENTIFIC

A Thermo Fisher Scientific Brand