

Solutions for Your TOUGHEST
MIXING Applications in

COSMETICS & TOILETRIES



Manufacture of Deodorants
and Antiperspirants



Manufacture of Deodorants and Antiperspirants

A deodorant stops odor by killing skin bacteria with biocides and masking odor through fragrance. An antiperspirant reduces the amount of available water on the skin with astringents, most commonly aluminum salts. Both types of product are generally water in oil or water in silicone emulsions, containing active ingredients (biocides or aluminium salts), emulsifiers, gelling, suspending or thickening agents, waxes, emollients, preservatives, colorants and fragrance.

The Process

The formulation and ingredients vary according to whether the product is to be supplied in aerosol, roll-on, gel or stick form, however to some extent the basic manufacturing process is the same:

- The vessel is charged with solvents such as alcohol, propylene glycol, glycerine, etc. or silicones such as dimethicone. This is the oil or “continuous phase.”
- Flake/powder ingredients, such as cetyl alcohol are dispersed into the oil phase.
- The “dispersed phase” is prepared separately. Typically this is aqueous, however stick deodorants usually do not contain water; the dispersed phase would also be oil based.
- The active ingredient is dispersed into this phase. Suspending agents such as bentonite may be added.
- The phases are combined to form an emulsion.
- The active ingredient is sometimes added at this later stage.
- Gelling agents or polymers are added to stick products to form structure.
- Fragrance and coloring are added.
- The product is cooled and poured into containers, moulds, etc.

The Problem

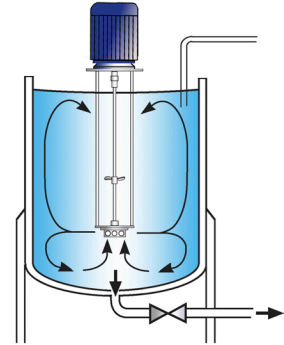
- Some ingredients can form agglomerates which conventional agitators cannot easily break down.
- Some ingredients require shear in order to develop their desired properties.
- Aeration must be minimized.
- When adding powdered ingredients to the vessel partially hydrated materials can build up on the vessel wall and parts of the agitator.
- Some gelling agents are prone to degradation at high temperatures or low pH.
- Conventional agitators cannot easily form stable emulsions even when both liquid phases have been heated.
- Long process times and additional equipment are often required to achieve a homogeneous product.

The Solution

Intermediate stages of production can be eliminated, product quality improved and processing times dramatically reduced by using a Silverson High Shear mixer. There are a number of machines in the Silverson product line used for this application, the suitability of which is dictated by individual processing requirements, including batch size, formulation and viscosity of the end product:

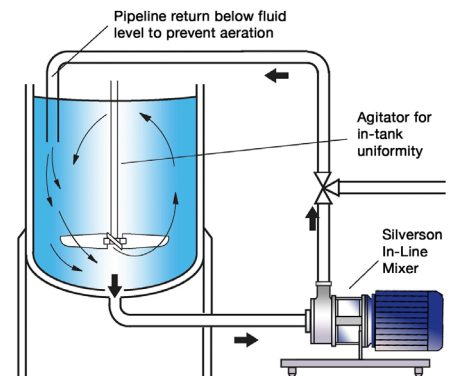
High Shear Batch Mixers

- Suitable for batch sizes up to 400 US gallons
- Can be used on mobile floor stands
- Sealed units available for pressure/vacuum operation
- Small units available for R&D and pilot production



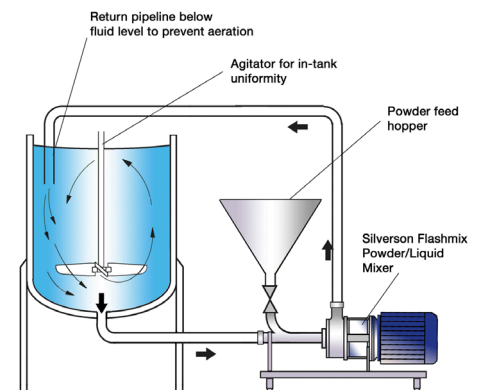
High Shear In-Line mixers

- Ideal for larger batches
- Aeration free
- Easily retrofitted to existing process
- Self-pumping
- Can be used to discharge vessel
- Multistage units available
- Ultra Sanitary units available
- High Viscosity models available



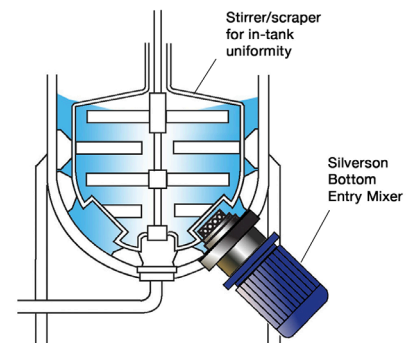
Silverson Flashmix

- Ideal for larger batches
- Capable of rapidly incorporating large volumes of powders
- Minimized aeration
- Minimized cleaning requirements
- Suitable for higher viscosity mixes
- Suitable for operation at higher temperatures
- Minimum operator input required



High Shear Bottom Entry Mixers

- Generally used in conjunction with an anchor stirrer/scraper
- Suitable for use on high viscosity products - gels, deodorant sticks or those that increase in viscosity or solidify on cooling



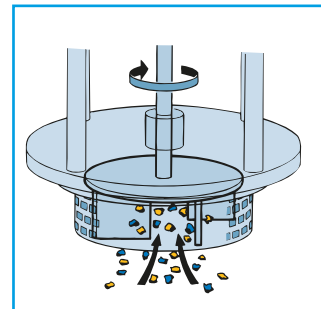
The Advantages

- Agglomerate-free mix.
- Maximized yield of raw materials as thickening agents are fully hydrated and active ingredients fully dispersed.
- Rapid mixing time.
- Stable emulsion.
- In many cases heating is not required, reducing costs and risk of degradation of heat sensitive ingredients.
- Reduced aeration.
- Consistent product quality and repeatability.

The advantages of the Silverson High Shear mixer stem from the 3 stage mixing/shearing action generated by the precision machined workhead. Operation is as follows:

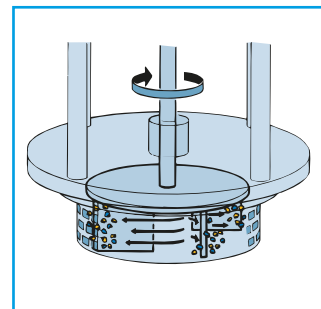
Stage 1

The vessel is charged with appropriate base fluid. The mixer is started, and the solid/ powdered ingredients are added. The powerful suction created by the high speed rotation of the rotor draws liquid and solids into the workhead where they are rapidly mixed.



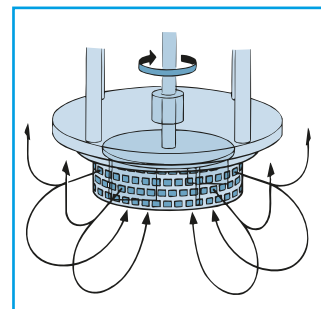
Stage 2

The solids are de-agglomerated in the precision machined workhead before being forced out through the stator and circulated back into the mix. Simultaneously fresh material is drawn into the workhead.



Stage 3

Once the powdered ingredients have been fully dispersed in the “continuous” liquid phase, the “dispersed” phase is added. The high shear mixing action of the workhead forms a uniform and stable emulsion.



For more information click here to go to www.silverson.com
Silverson Machines, Inc. 355 Chestnut Street, East Longmeadow, MA 01028
Ph: (413) 525-4825 sales@silverson.com

Information contained in this report is believed to be correct and is included as a guide only. No warranty is expressed or implied as to fitness for use or freedom from patents. Silverson Machines reserve the right to change product specification without notice.

Issue No. 14TA4