

Solutions for Your TOUGHEST  
MIXING Applications in

# CHEMICALS



Preparation of Polyvinyl  
Alcohol (PVA) Solutions



# Preparation of Polyvinyl Alcohol (PVA) Solutions

Polyvinyl Alcohol (PVA, sometimes referred to as PVOH) is a water soluble polymer used widely in adhesives, paints, sealants, coatings, textiles, plastics, etc. The polymer is normally supplied in powder form and several grades are available with varying viscosity and solubility characteristics.

This should not be confused with Polyvinyl Acetate, also known as PVA (sometimes PVAc) which is insoluble in water. PVAc emulsions are also used for adhesives, paints and various coatings but processing is somewhat different.

## The Process

PVA is soluble in hot and cold water. A solution would typically be prepared as follows:

- The powder is slowly added to cold water to avoid formation of lumps, as it becomes sticky and the tendency to form lumps increases as temperature rises. In some cases water at lower than ambient temperature may be used to reduce this risk.
- Once the powder is fully dispersed the mix is heated to the temperature at which the polymer becomes solubilized (ranging from 194°F to 208°F - this depends on the grade of PVA used).
- Mixing continues at this temperature until the PVA is fully solubilized. Depending on the grade of material and efficiency of the agitation system this can take some time to achieve.

## The Problem

Using conventional mixers and agitators, a number of problems can be encountered during production:

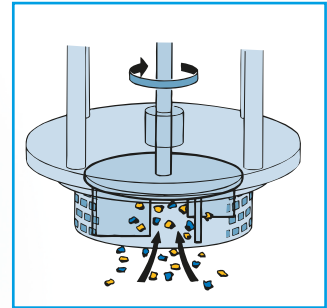
- Incorporation and dispersion of the powder becomes increasingly difficult as the viscosity starts to rise.
- Lumps cannot readily be broken down by agitation and long mixing times are required to complete solubilization.
- The vigorous agitation required to wet out the powder can lead to aeration problems.
- Inefficient agitation takes longer to achieve full solubilization at temperature. A degree of shear is required to accelerate the process.
- The heating stage of the process adds to costs and process time.

# The Solution

A Silverson High Shear mixer can disperse and solubilize PVA powder in hot water, reducing mixing times to a fraction of that taken by conventional methods. A typical operating procedure would be as follows:

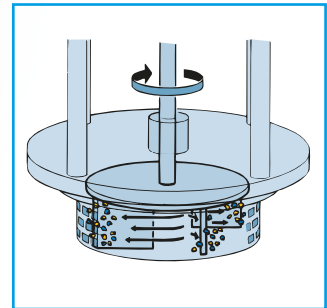
## Stage 1

The vessel is charged with hot water and the mixer is started. The PVA is added to the water and is rapidly wetted out and incorporated into the liquid. The high speed rotation of the rotor creates a powerful suction which draws ingredients into the mixer's workhead.



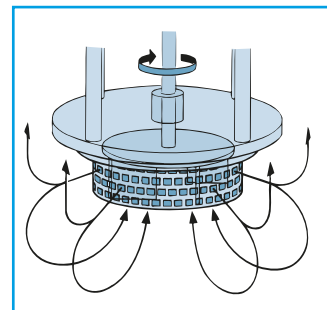
## Stage 2

Centrifugal force drives the materials to the periphery of the workhead where they are subjected to intense high shear in the gap between the rotor and stator before being forced out through the holes in the stator and projected back into the mix. Any agglomerates are rapidly dispersed.



## Stage 3

Fresh materials are simultaneously drawn into the workhead, setting up a circulatory pattern of mixing. The entire contents of the vessel passes many times through the workhead, progressively breaking down any agglomerates and accelerating the solubilization process.



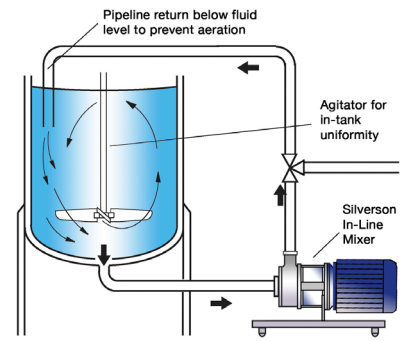
# The Advantages

- Dispersing the PVA into hot water eliminates the heating stage, dramatically reducing process time.
- Rapid dispersion of powder eliminates operator error.
- Powder is fully dispersed before viscosity build-up commences.
- Any agglomerates are broken down by the intense high shear mixing, resulting in accelerated solubilization and better batch consistency.

Typically PVA solutions are prepared in bulk. In-Line mixers are commonly used for very large volumes. In-tank mixers are also used depending on batch size, viscosity of end product, etc.

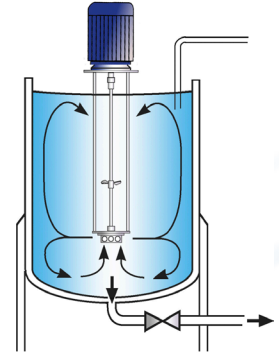
### High Shear In-Line Mixers

- Ideal for larger batches
- Aeration free
- Must be used in conjunction with an efficient in-tank agitator to wet out powder
- Easily retrofitted to existing plant
- Self-pumping
- High Viscosity models available
- Multistage units available for higher degree of shear
- Units available for Explosion Proof or Hazardous duties



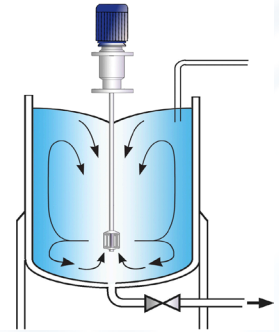
### High Shear Batch Mixers

- Suitable for small batches
- Units available for Explosion Proof or Hazardous duties
- Special units for abrasive products available



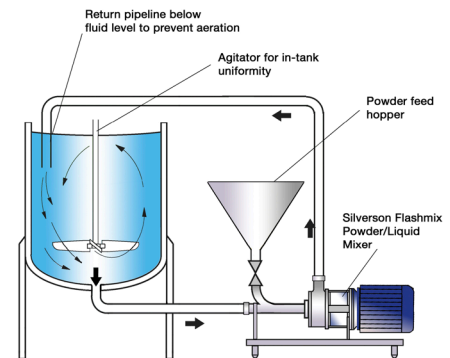
### Silverson Ultramix

- Ideal for larger batches
- Capable of rapidly incorporating large volumes of powders
- Ideal for high viscosity mixes
- Excellent in-tank movement
- Ultra Sanitary CIP design
- Low maintenance



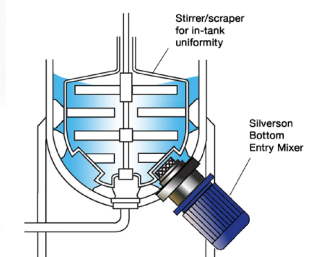
### Silverson Flashmix

- Ideal for larger batches
- Suitable for bulk powder incorporation
- Minimized aeration
- Minimized cleaning requirements
- Suitable for higher viscosity mixes
- Suitable for operation at higher temperatures
- Minimum operator input required



### High Shear Bottom Entry Mixers

- Normally used in conjunction with an anchor stirrer/scrapper on high viscosity products; can be used alone on lower viscosities
- Units available for Explosion Proof or Hazardous duties



For more information click here to go to [www.silverson.com](http://www.silverson.com)

Silverson Machines, Inc. 355 Chestnut Street, East Longmeadow, MA 01028

Ph: (413) 525-4825 sales@silverson.com

Information contained in this report is believed to be correct and is included as a guide only. No warranty is expressed or implied as to fitness for use or freedom from patents. Silverson Machines reserve the right to change product specification without notice.

Issue No. 62CA4